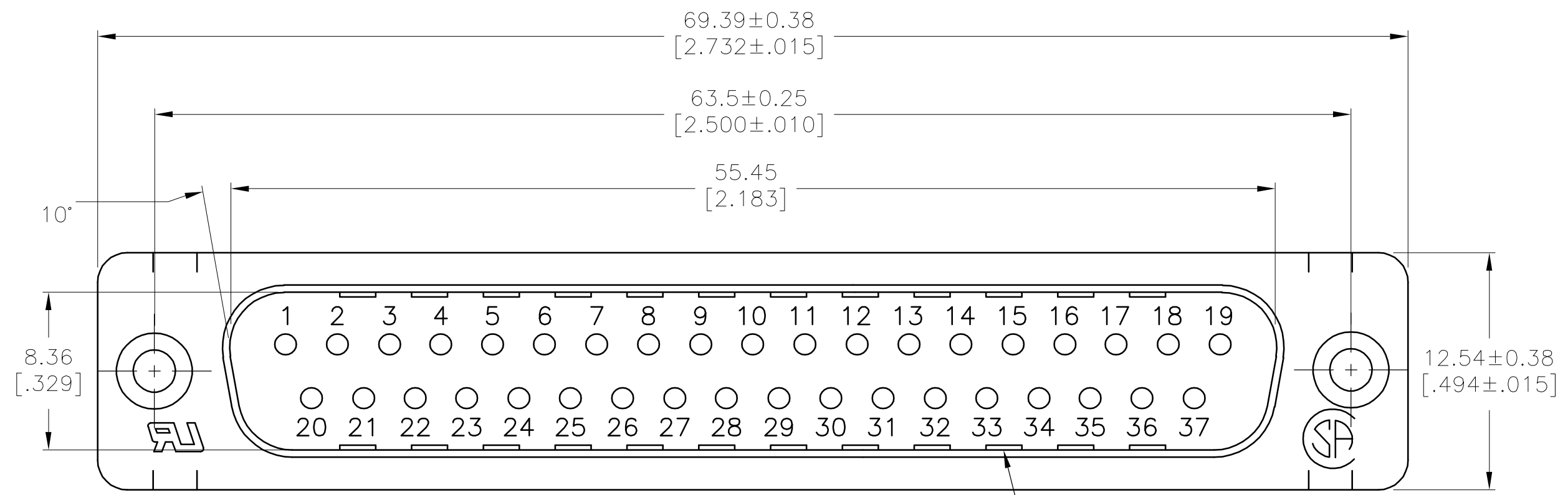
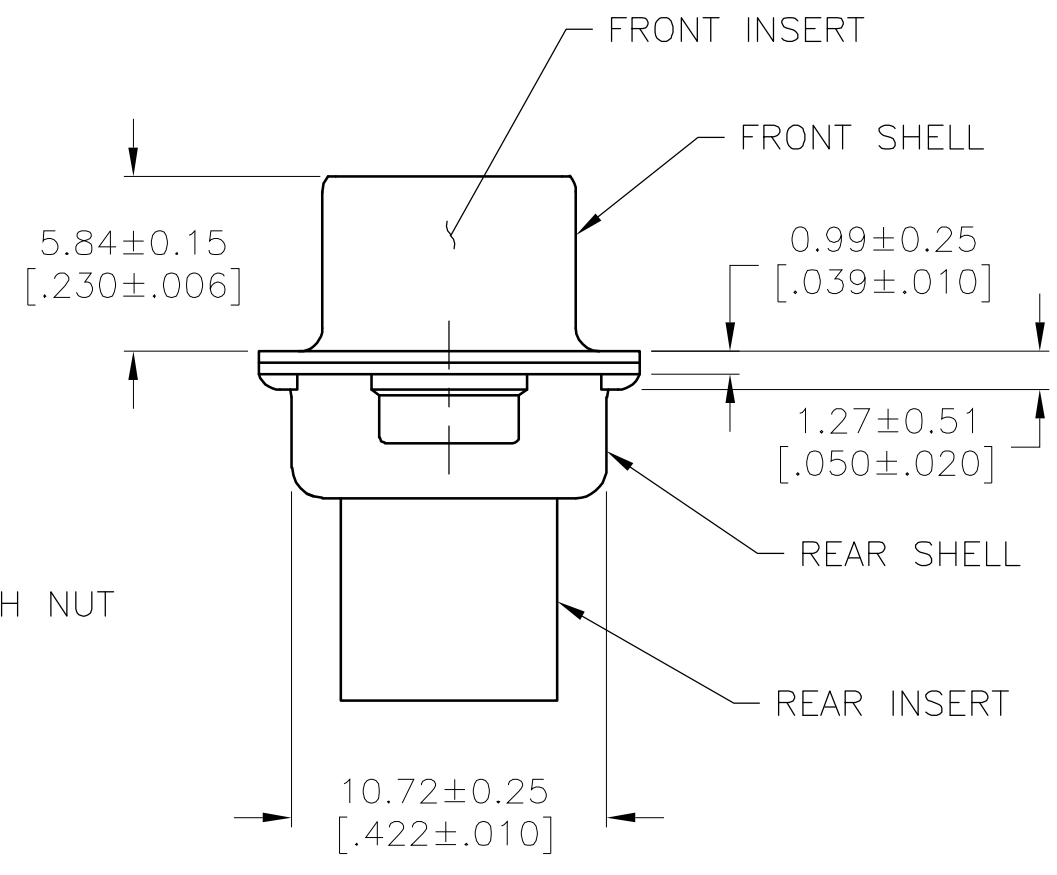
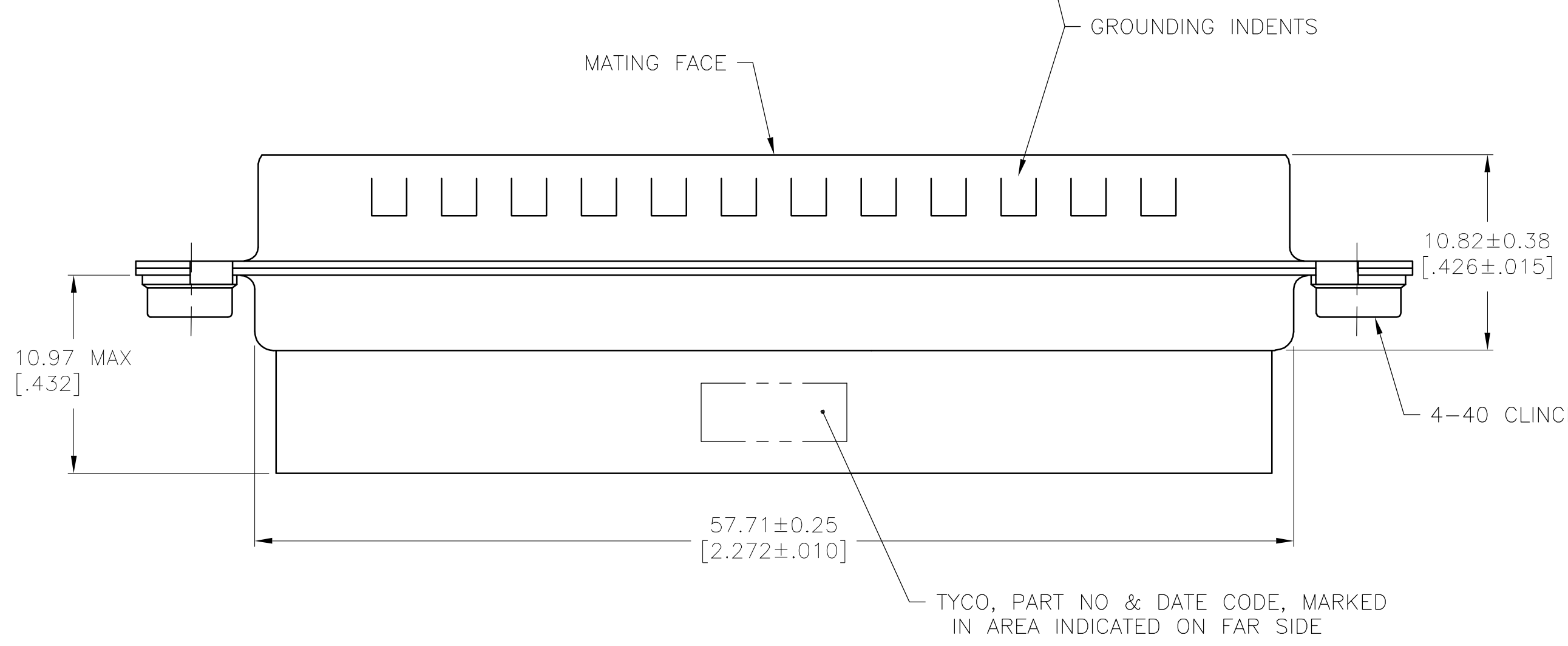


THIS DRAWING IS UNPUBLISHED. RELEASED FOR PUBLICATION
 © COPYRIGHT BY TYCO ELECTRONICS CORPORATION. ALL RIGHTS RESERVED.

LOC		DIST		REVISIONS			
P	LTR	DESCRIPTION	DATE	DWN	APVD		
GP	00	F1	REVISED PER ECO-06-020813	25/OCT/06	ZR	CR	



- ① INSERTS: GLASS FILLED NYLON, UL 94V-0 RATED, COLOR BLACK.
SHELLS: CARBON STEEL PER ASTM A109.
CLINCH NUTS: CARBON STEEL PER ASTM A108.
- ② SHELLS: SEE TABLE
CLINCH NUTS: CLEAR CHROMATE OVER ZINC.
- 3. CONNECTOR ACCEPTS SIZE 20 DF PIN CONTACTS. RETENTION TINES ARE AN INTEGRAL PART OF INSERT.
- ④ 0.00508[.000200] MIN BRIGHT TIN OR BRIGHT TIN LEAD OVER
0.00254[.000100] MIN COPPER.
- ⑤ 0.00508[.000200] MIN BRIGHT TIN OVER 0.00254[.000100] MIN COPPER.



**COPYRIGHT 2003
 TYCO ELECTRONICS CORP
 ALL RIGHTS RESERVED**

OBSOLETE	⑤	745135-4
	④	745135-2
	SHELL FINISH	PART NUMBER

THIS DRAWING IS A CONTROLLED DOCUMENT.		DWN	J.GERACE	24APR03	 Tyco Electronics Corporation Harrisburg, Pa 17105							
DIMENSIONS: MM [INCHES]		CHK	S.BOLASH	24APR03								
TOLERANCES UNLESS OTHERWISE SPECIFIED:		APVD	M.WALMSLEY	24APR03								
0 PLC ± - 1 PLC ± - 2 PLC ± 0.13[.005] 3 PLC ± - 4 PLC ± - ANGLES ± -		PRODUCT SPEC	108-40005	NAME		PLUG CONNECTOR, SIZE 4, 37 POS, 4-40 CLINCH NUTS, AMPLIMITE HDP-20						
MATERIAL	①	FINISH	②	114-40030	SIZE	A2	CAGE CODE	00779	DRAWING NO	C=745135	RESTRICTED TO	-
		CUSTOMER DRAWING		WEIGHT	-	SCALE	4:1	SHEET	1 OF 1	REV	F1	